



14-24 AUGUST 2014 in Gdynia & Gdansk, Poland

DAILY BULLETIN 8

GROUP A

Sweden
Serbia
Switzerland
Iceland



GROUP C

France
Croatia
Romania
Hungary



GROUP B

Spain
Russia
Denmark
FYR Macedonia



GROUP D

Germany
Belarus
Poland
Czech Republic



EUROPEAN HANDBALL
FEDERATION

24 AUGUST 2014

**OFFICIAL RESULT BULLETIN
PRELIMINARY ROUND**

GROUP A		
	SWE	Sweden
	SRB	Serbia
	SUI	Switzerland
	ISL	Iceland
Gdansk		GK

GROUP B		
	ESP	Spain
	RUS	Russia
	DEN	Denmark
	MKD	Fyr Macedonia
Gdansk		GK

GROUP C		
	FRA	France
	CRO	Croatia
	ROU	Romania
	HUN	Hungary
Gdynia		GA

GROUP D		
	GER	Germany
	BLR	Belarus
	POL	Poland
	CZE	Czech Republic
Gdynia		GA

STANDINGS GROUP A								
		total	won	draw	lost	goal difference	pts	
1.	SWE	3	2	1	0	81:70	11	5
2.	SUI	3	1	1	1	70:72	-2	3
3.	ISL	3	1	1	1	75:72	3	3
4.	SRB	3	0	1	2	66:78	-12	1

STANDINGS GROUP B										
		total	won	draw	lost	goal difference	pts			
1.	ESP	3	3	0	0	83:63	20	6		
2.	DEN	3	2	0	1	101:68	33	4		
3.	RUS	3	1	0	2	74:93	-19	2		
4.	MKD	3	0	0	3	66:100	-34	0		

MATCHES						
date	time	place	nr	teams	results	
14.08.	17:00	GK	1	SWE : SUI	29:25 (13 : 13)	
	19:00	GK	2	SRB : ISL	24:29 (14 : 13)	
15.08.	17:00	GK	3	ISL : SWE	24:24 (14 : 12)	
	19:00	GK	4	SUI : SRB	21:21 (10 : 15)	
17.08.	17:00	GK	5	SWE : SRB	28:21 (12 : 6)	
	19:00	GK	6	SUI : ISL	24:22 (14 : 9)	

MATCHES						
date	time	place	nr	teams	results	
14.08.	13:00	GK	7	ESP : DEN	27:25 (17 : 11)	
	15:00	GK	8	RUS : MKD	31:30 (14 : 17)	
15.08.	13:00	GK	9	MKD : ESP	16:31 (8 : 11)	
	15:00	GK	10	DEN : RUS	38:21 (14 : 10)	
17.08.	13:00	GK	11	ESP : RUS	25:22 (12 : 9)	
	15:00	GK	12	DEN : MKD	38:20 (17 : 6)	

STANDINGS GROUP C								
		total	won	draw	lost	goal difference	pts	
1.	HUN	3	3	0	0	113:79	34	6
2.	FRA	3	2	0	1	110:83	27	4
3.	CRO	3	1	0	2	89:103	-14	2
4.	ROU	3	0	0	3	80:127	-47	0

STANDINGS GROUP D										
		total	won	draw	lost	goal difference	pts			
1.	GER	3	3	0	0	108:70	38	6		
2.	POL	3	2	0	1	75:75	0	4		
3.	BLR	3	1	0	2	77:96	-19	2		
4.	CZE	3	0	0	3	72:91	-19	0		

MATCHES						
date	time	place	nr	teams	results	
14.08.	13:30	GA	13	FRA : ROU	43:24 (21 : 12)	
	15:30	GA	14	CRO : HUN	23:36 (9 : 19)	
15.08.	13:30	GA	15	HUN : FRA	34:26 (19 : 15)	
	15:30	GA	16	ROU : CRO	26:41 (13 : 19)	
17.08.	13:30	GA	17	FRA : CRO	41:25 (17 : 11)	
	15:30	GA	18	ROU : HUN	30:43 (13 : 21)	

MATCHES						
date	time	place	nr	teams	results	
14.08.	17:30	GA	20	BLR : CZE	30:27 (14 : 13)	
	19:30	GA	19	GER : POL	31:22 (17 : 11)	
15.08.	17:30	GA	21	CZE : GER	25:34 (9 : 19)	
	19:30	GA	22	POL : BLR	26:24 (10 : 9)	
17.08.	17:30	GA	23	GER : BLR	43:23 (23 : 12)	
	19:30	GA	24	POL : CZE	27:20 (12 : 11)	



OFFICIAL RESULT BULLETIN

MAIN ROUND

GROUP M1			GROUP M2		
	SWE	Sweden		HUN	Hungary
	ESP	Spain		GER	Germany
	SUI	Switzerland		FRA	France
	DEN	Denmark		POL	Poland
Gdansk GK			Gdynia GA		

STANDINGS GROUP M1								
		total	won	draw	lost	goal difference	pts	
1.	ESP	3	3	0	0	79:68	11	6
2.	DEN	3	1	0	2	85:76	9	2
3.	SUI	3	1	0	2	75:81	-6	2
4.	SWE	3	1	0	2	71:85	-14	2

MATCHES

date	time	place	nr	teams	results
19.08.	17:00	GK	33	SUI : DEN	27:26 (15 : 15)
	19:00	GK	34	SWE : ESP	20:26 (8 : 13)
20.08.	17:00	GK	35	DEN : SWE	34:22 (20 : 9)
	19:00	GK	36	ESP : SUI	26:23 (12 : 13)

STANDINGS GROUP M2								
		total	won	draw	lost	goal difference	pts	
1.	HUN	3	3	0	0	97:72	25	6
2.	FRA	3	1	1	1	90:82	8	3
3.	GER	3	1	1	1	81:82	-1	3
4.	POL	3	0	0	3	66:98	-32	0

MATCHES

date	time	place	nr	teams	results
19.08.	17:00	GA	38	HUN : GER	30:20 (16 : 9)
	19:00	GA	37	FRA : POL	34:18 (19 : 10)
20.08.	17:00	GA	40	GER : FRA	30:30 (16 : 16)
	19:00	GA	39	POL : HUN	26:33 (13 : 15)

INTERMEDIATE ROUND

GROUP I1			GROUP I2		
	ISL	Iceland		CRO	Croatia
	RUS	Russia		BLR	Belarus
	SRB	Serbia		ROU	Romania
	MKD	Fyr Macedonia		CZE	Czech Republic
Gdansk GK			Gdynia GA		

STANDINGS GROUP I1								
		total	won	draw	lost	goal difference	pts	
1.	ISL	3	3	0	0	95:85	10	6
2.	RUS	3	2	0	1	94:95	-1	4
3.	MKD	3	1	0	2	78:77	1	2
4.	SRB	3	0	0	3	69:79	-10	0

MATCHES

date	time	place	nr	teams	results
19.08.	13:00	GK	25	SRB : MKD	20:23 (9 : 9)
	15:00	GK	26	ISL : RUS	40:36 (17 : 20)
20.08.	13:00	GK	27	MKD : ISL	25:26 (10 : 14)
	15:00	GK	28	RUS : SRB	27:25 (14 : 11)

STANDINGS GROUP I2								
		total	won	draw	lost	goal difference	pts	
1.	CRO	3	2	1	0	107:87	20	5
2.	BLR	3	2	1	0	93:87	6	5
3.	ROU	3	1	0	2	85:98	-13	2
4.	CZE	3	0	0	3	82:95	-13	0

MATCHES

date	time	place	nr	teams	results
19.08.	13:00	GA	29	ROU : CZE	30:25 (14 : 11)
	15:00	GA	30	CRO : BLR	31:31 (15 : 15)
20.08.	13:00	GA	31	CZE : CRO	30:35 (13 : 20)
	15:00	GA	32	BLR : ROU	32:29 (15 : 15)



OFFICIAL RESULT BULLETIN

Semifinals and Cross matches

Cross Matches 13-16

date	time	place	nr	teams	results
22.08.	12:30	GK	41	MKD : CZE	21:27 (11 : 13)
22.08.	15:00	GK	42	ROU : SRB	25:27 (17 : 14)

Cross Matches 9-12

date	time	place	nr	teams	results
22.08.	17:30	GK	43	ISL : BLR	32:28 (21 : 15)
22.08.	20:00	GK	44	CRO : RUS	40:24 (16 : 11)

Cross Matches 5-8

date	time	place	nr	teams	results
22.08.	12:30	GA	46	GER : SWE	31:32 (11 : 16) (25 : 25) 28 : 28
22.08.	15:00	GA	45	SUI : POL	25:24 (11 : 12)

Semi Final

date	time	place	nr	teams	results
22.08.	17:30	GA	47	ESP : FRA	23:24 (10 : 12)
22.08.	20:00	GA	48	HUN : DEN	32:26 (13 : 10)

Finals and Placement matches

Placement Matches 13-16

date	time	place	nr	teams	results
23.08.	12:30	GK	49	MKD : ROU	35:32 (17 : 13)
23.08.	15:00	GK	50	CZE : SRB	23:30 (12 : 16)

Placement Matches 9-12

date	time	place	nr	teams	results
23.08.	17:30	GK	51	BLR : RUS	36:31 (17 : 15)
23.08.	20:00	GK	52	ISL : CRO	33:28 (15 : 15)

Placement Matches 5-8

date	time	place	nr	teams	results
23.08.	17:30	GA	53	POL : GER	23:26 (12 : 14)
23.08.	20:00	GA	54	SUI : SWE	25:28 (11 : 12)

Final Matches

date	time	place	nr	teams	results
24.08.	14:00	GA	55	ESP : DEN	27:21 (17 : 7)
24.08.	16:30	GA	56	FRA : HUN	33:30 (16 : 18)

Ranking

1.		FRA	France
2.		HUN	Hungary
3.		ESP	Spain
4.		DEN	Denmark
5.		SWE	Sweden
6.		SUI	Switzerland
7.		GER	Germany
8.		POL	Poland
9.		ISL	Iceland
10.		CRO	Croatia
11.		BLR	Belarus
12.		RUS	Russia
13.		SRB	Serbia
14.		CZE	Czech Republic
15.		MKD	Fyr Macedonia
16.		ROU	Romania



14 M396 R1- 063	Team A ESP Spain	Team B DEN Denmark
---------------------------	----------------------------	------------------------------

Place: Hala Sportowo Widowiskowa W
 Nation: POL
 Date: 24.08.2014
 Time: 14:00
 Spect.: 600
 (Hall cap.): 4800

Final Result

27 : 21

N	Spain	G	W	2'	2'	2'	D	TP
1	CABADA DE DIOS Juan Carlos	0						
2	GOMEZ AVILA Samuel	1						
3	BAZAN LEGASA Antonio	0	25:00					
4	DUJSHEBAEV DOBICHEVAEVA Daniel	6						
7	FOLQUES ORTIZ Josep	0		51:48				
8	CASADO MARCELO Agustin	0	07:00					
9	CASTRO PENA Francisco	1	10:00					
10	FERNANDEZ ALONSO David	7						
11	GOMEZ ABELLO Aleix	3						
13	MUNOZ DE LA PENA MORALES Juan	1						
16	LEDO MENDEZ Xoan	0						
21	RIO IGLESIAS Ruben	0						
22	ODRIOZOLA YEREGUI Kauldi	4						
24	FERNANDEZ FERNANDEZ Jaime	1						
25	PEDREIRA JORDEO Roman	1						
26	GUTIERREZ FERNANDEZ Victor	2						
A	SUAREZ MENENDEZ Alberto							
B	SANCHEZ NIEVES Fernandes							
C	LUDENA MONTENEGRO José Carlos							
D	PENA CONTRERAS Oscar							
TTO		1:	11:25	2:	34:12	3:		

Team A	Team B
Half time	
17	7
Full time	
27	21
1st extra time	
2nd extra time	
after 7 metres	
7m given / goals	
5 / 3	0 / 0

Officials

Nat.

Referee 1	
Georgios Panayides	CYP
Referee 2	
Marios Andreou	CYP
EHF-Delegate	
Sotiris Migas	GRE
EHF-Delegate	
Antonio Goulao	POR

N	Denmark	G	W	2'	2'	2'	D	TP
2	TOFT HANSEN Allan	0						
3	OLESEN Christian	1						
4	LARSEN Rasmus B.	0						
5	KRABBE Frederik	0	11:00					
8	AAQUIST Jacob	2		46:52				
9	CAMPBELL Magnus	2						
10	ROSENDAHL Lasse	1	15:00					
15	HEDEGAARD Mathias	0						
16	NIELSEN Emil	0						
17	THOGERSEN Michael	1						
18	HOLM HAACK Mike	0						
19	NORAGER Nicolaj	4						
20	GADE Simon	0						
21	SAUGSTRUP Magnus	9		36:26				
22	AUGUSTINUSSEN Sebastian	1	12:00	15:12	41:46			
23	THORSEN Tobias	0						
A	HENRIKSEN Morten							
B	LARSEN Sten Kaj							
C	JENSEN Niels							
D	KRONBORG Morten							
TTO		1:	18:14	2:	20:50	3:	49:57	

Remarks





2014 Men's 18 European Handball Championship

14 - 24 August in Gdańsk & Gdynia, Poland



Place 3/4
Match No 55

SPAIN  -  DENMARK

2014-08-24 Start Time: 14:00
Gdynia Arena

Referees: ANDREOU/PANAYIDES CYP

FULL TIME REPORT

SPAIN

Coach: Suarez Menendez Alberto

Field players	Goals	Shots	%	7m	7m%	9m	6m	6mO	Wing	FB	BT	FTO	PPT
1 Cabada J.	0	0	0	0/0	0	0/0	0/0	0/0	0/0	0/0	0/0	0/0	17:10
16 Ledo X.	0	0	0	0/0	0	0/0	0/0	0/0	0/0	0/0	0/0	0/0	42:50
2 Gomez A.	1	2	50	0/0	0	0/0	1/2	0/0	0/0	0/0	0/0	0/0	04:24
3 Bazan A.	0	1	0	0/0	0	0/0	0/1	0/0	0/0	0/0	0/0	0/0	51:17
4 Dujshabaev D.	6	10	60	1/2	50	5/8	0/0	0/0	0/0	0/0	0/0	0/0	59:21
7 Folques O.	0	0	0	0/0	0	0/0	0/0	0/0	0/0	0/0	0/0	0/0	50:22
8 Casado A.	0	3	0	0/0	0	0/3	0/0	0/0	0/0	0/0	0/0	0/0	32:44
9 Castro F.	1	2	50	0/0	0	0/1	1/1	0/0	0/0	0/0	0/0	0/0	10:46
10 Fernandez D.	7	12	58	0/0	0	4/8	3/4	0/0	0/0	0/0	0/0	0/0	40:32
11 Gomez A.	3	7	43	2/3	67	0/2	0/0	0/0	1/2	0/0	0/0	0/0	00:06
13 Munoz J.	1	1	100	0/0	0	0/0	0/0	0/0	0/0	1/1	0/0	0/0	17:25
21 Rio R.	0	0	0	0/0	0	0/0	0/0	0/0	0/0	0/0	0/0	0/0	00:52
22 Odriozola K.	4	5	80	0/0	0	0/1	1/1	0/0	1/1	2/2	0/0	0/0	51:43
23 Carmona G.	0	0	0	0/0	0	0/0	0/0	0/0	0/0	0/0	0/0	0/0	00:00
24 Fernandez J.	1	1	100	0/0	0	0/0	0/0	0/0	0/0	1/1	0/0	0/0	15:21
25 Pedreira R.	1	1	100	0/0	0	0/0	1/1	0/0	0/0	0/0	0/0	0/0	13:05
26 Gutierrez F.	2	3	67	0/0	0	0/0	0/0	0/0	1/2	1/1	0/0	0/0	44:39
	27	48	56	3/5	60	9/23	7/10	0/0	3/5	5/5	0/0	0/0	60:00

Field players	AS	R7	ST	TO	AF	BS	DB	AI	YC	2M	RC	EX	2+2
1 Cabada J.	0	0	0	0	0	0	0	0	0	0	0	0	0
16 Ledo X.	2	0	0	1	0	0	0	0	0	0	0	0	0
2 Gomez A.	0	0	0	0	0	0	0	0	0	0	0	0	0
3 Bazan A.	0	1	0	0	0	0	0	2	1	0	0	0	0
4 Dujshabaev D.	2	0	0	2	0	0	1	0	0	0	0	0	0
7 Folques O.	1	0	3	1	0	0	0	1	0	1	0	0	0
8 Casado A.	1	1	1	0	0	0	1	1	1	0	0	0	0
9 Castro F.	2	0	0	2	0	0	0	1	1	0	0	0	0
10 Fernandez D.	1	0	0	1	0	0	0	0	0	0	0	0	0
11 Gomez A.	0	0	0	0	0	0	0	0	0	0	0	0	0
13 Munoz J.	1	0	0	0	0	0	0	2	0	0	0	0	0
21 Rio R.	0	0	0	0	0	0	0	0	0	0	0	0	0
22 Odriozola K.	0	1	2	1	0	0	0	0	0	0	0	0	0
23 Carmona G.	0	0	0	0	0	0	0	0	0	0	0	0	0
24 Fernandez J.	0	1	1	0	0	0	0	0	0	0	0	0	0
25 Pedreira R.	2	0	0	0	0	0	0	0	0	0	0	0	0
26 Gutierrez F.	0	0	3	0	0	0	0	0	0	0	0	0	0
	12	4	10	8	0	0	2	7	3	1	0	0	0

Goalkeepers	Total				Near Shots									
	Saves	Shots	%	7m	7m%	9m	9m%	6m	6mO	Wing	BT	NS%	FB	FTO
16 Ledo X.	8	22	36	0/0	0	4/9	44	0/4	0/0	3/4	0/0	38	1/5	0/0
1 Cabada J.	0	7	0	0/0	0	0/3	0	0/2	0/0	0/0	0/0	0	0/2	0/0
	8	29	28	0/0	0	4/12	33	0/6	0/0	3/4	0/0	30	1/7	0/0

Officials	YC	2M	RC	EX	2+2
F	0	0	0	0	0
E	0	0	0	0	0
D Pena Contreras Oscar	0	0	0	0	0
C Ludena Montenegro Jos Carlos	0	0	0	0	0
B Sanchez Nieves Daniel	0	0	0	0	0
A Suarez Menendez Alberto	0	0	0	0	0
	0	0	0	0	0



2014 Men's 18 European Handball Championship

14 - 24 August in Gdańsk & Gdynia, Poland



Place 3/4
Match No 55

SPAIN  -  DENMARK

2014-08-24 Start Time: 14:00
Gdynia Arena

Referees: ANDREOU/PANAYIDES CYP

FULL TIME REPORT

DENMARK

Coach: Henriksen Morten

Field players	Goals	Shots	%	7m	7m%	9m	6m	6mO	Wing	FB	BT	FTO	PPT
16 Nielsen E.	0	0	0	0/0	0	0/0	0/0	0/0	0/0	0/0	0/0	0/0	44:23
20 Gade S.	0	0	0	0/0	0	0/0	0/0	0/0	0/0	0/0	0/0	0/0	15:37
2 Toft A.	0	1	0	0/0	0	0/0	0/1	0/0	0/0	0/0	0/0	0/0	10:34
3 Olesen C.	1	3	33	0/0	0	0/0	0/0	0/0	0/2	1/1	0/0	0/0	37:55
4 Larsen R.	0	0	0	0/0	0	0/0	0/0	0/0	0/0	0/0	0/0	0/0	00:00
5 Krabbe F.	0	5	0	0/0	0	0/4	0/1	0/0	0/0	0/0	0/0	0/0	33:43
8 Aaquist J.	2	3	67	0/0	0	2/3	0/0	0/0	0/0	0/0	0/0	0/0	40:28
9 Campbell M.	2	2	100	0/0	0	2/2	0/0	0/0	0/0	0/0	0/0	0/0	20:26
10 Rosendahl L.	1	1	100	0/0	0	1/1	0/0	0/0	0/0	0/0	0/0	0/0	21:36
15 Hedegaard M.	0	0	0	0/0	0	0/0	0/0	0/0	0/0	0/0	0/0	0/0	09:57
17 Thogersen M.	1	1	100	0/0	0	0/0	0/0	0/0	1/1	0/0	0/0	0/0	29:51
18 Holm M.	0	1	0	0/0	0	0/0	0/0	0/0	0/1	0/0	0/0	0/0	30:09
19 Norager N.	4	7	57	0/0	0	3/4	0/1	0/0	0/0	1/2	0/0	0/0	33:28
21 Saugstrup M.	9	10	90	0/0	0	0/0	5/6	0/0	0/0	4/4	0/0	0/0	45:29
22 Augustinussen S.	1	1	100	0/0	0	0/0	1/1	0/0	0/0	0/0	0/0	0/0	24:19
23 Thorsen T.	0	0	0	0/0	0	0/0	0/0	0/0	0/0	0/0	0/0	0/0	22:05
	21	35	60	0/0	0	8/14	6/10	0/0	1/4	6/7	0/0	0/0	60:00

Field players	AS	R7	ST	TO	AF	BS	DB	AI	YC	2M	RC	EX	2+2
16 Nielsen E.	0	0	0	1	0	0	0	0	0	0	0	0	0
20 Gade S.	0	0	0	0	0	0	0	0	0	0	0	0	0
2 Toft A.	0	0	0	0	0	0	0	1	0	0	0	0	0
3 Olesen C.	0	0	0	0	0	0	0	0	0	0	0	0	0
4 Larsen R.	0	0	0	0	0	0	0	0	0	0	0	0	0
5 Krabbe F.	5	0	1	1	0	0	0	3	1	0	0	0	0
8 Aaquist J.	2	0	1	2	0	1	0	1	0	1	0	0	0
9 Campbell M.	1	0	0	2	0	0	0	0	0	0	0	0	0
10 Rosendahl L.	1	0	0	3	0	0	0	2	1	0	0	0	0
15 Hedegaard M.	0	0	0	1	0	0	0	1	0	0	0	0	0
17 Thogersen M.	0	0	1	0	0	0	0	0	0	0	0	0	0
18 Holm M.	0	0	1	1	0	0	0	0	0	0	0	0	0
19 Norager N.	2	0	0	2	0	1	0	2	0	0	0	0	0
21 Saugstrup M.	0	0	0	2	0	0	1	5	0	1	0	0	0
22 Augustinussen S.	2	0	0	1	2	0	0	0	1	2	0	0	0
23 Thorsen T.	0	0	0	0	0	0	0	0	0	0	0	0	0
	13	0	4	16	2	2	1	15	3	4	0	0	0

Goalkeepers	Total				Near Shots									
	Saves	Shots	%	7m	7m%	9m	9m%	6m	6mO	Wing	BT	NS%	FB	FTO
16 Nielsen E.	10	30	33	2/4	50	6/13	46	1/6	0/0	1/3	0/0	22	0/4	0/0
20 Gade S.	5	12	42	0/1	0	2/4	50	2/4	0/0	1/2	0/0	50	0/1	0/0
	15	42	36	2/5	40	8/17	47	3/10	0/0	2/5	0/0	33	0/5	0/0

Officials	YC	2M	RC	EX	2+2
A Henriksen Morten	0	0	0	0	0
B Larsen Sten Kaj	0	0	0	0	0
C Jensen Niels	0	0	0	0	0
D Kronborg Morten	0	0	0	0	0
E	0	0	0	0	0
F	0	0	0	0	0
	0	0	0	0	0



2014 Men's 18 European Handball Championship

14 - 24 August in Gdańsk & Gdynia, Poland



Place 3/4
Match No 55

SPAIN  -  DENMARK

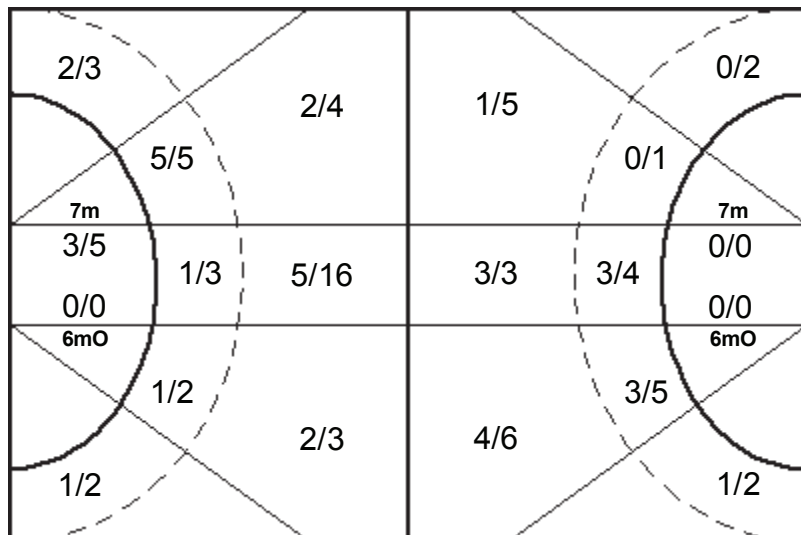
2014-08-24 Start Time: 14:00
Gdynia Arena

Referees: ANDREOU/PANAYIDES CYP

OVERVIEW OF SHOT DISTRIBUTION

SPAIN DENMARK

27 - 21
(17 - 7)



5/5	Fastbreak	6/7
0/0	Fast throw off	0/0
0/0	Breakthrough	0/0

SPAIN

3	3	1
9	0	3
5	1	2

DENMARK

2	1	2
3	0	4
4	1	4

RUNNING SCORE

ESP - DEN

1st Half	
Gomez A.	1 (1') 0
	1 (3') 1 Saugstrup M.
	1 (7') 2 Augustinussen S.
Fernandez D.	2 (8') 2
Castro F.	3 (9') 2
	3 (12') 3 Olesen C.
Gomez A.	4 (13') 3
Fernandez J.	5 (13') 3
Fernandez D.	6 (15') 3
Gomez A.	7 (16') 3
Dujshbaev D.	8 (17') 3
Pedreira R.	9 (20') 3
Odrizola K.	10 (21') 3
Odrizola K.	11 (22') 3
	11 (23') 4 Rosendahl L.
Odrizola K.	12 (25') 4
Fernandez D.	13 (26') 4
	13 (26') 5 Thogersen M.
Dujshbaev D.	14 (27') 5
	14 (29') 6 Campbell M.
Fernandez D.	15 (29') 6
Odrizola K.	16 (30') 6
Gutierrez F.	17 (30') 6
	17 (30') 7 Campbell M.
2st Half	
	17 (31') 8 Saugstrup M.
	17 (32') 9 Aaquist J.
	17 (35') 10 Saugstrup M.
	17 (36') 11 Norager N.
	17 (37') 12 Norager N.
Fernandez D.	18 (40') 12
	18 (40') 13 Norager N.
Gutierrez F.	19 (41') 13
Munoz J.	20 (42') 13
Fernandez D.	21 (43') 13
	21 (45') 14 Saugstrup M.
	21 (45') 15 Norager N.
Dujshbaev D.	22 (46') 15
Gomez A.	23 (47') 15
Fernandez D.	24 (48') 15
	24 (49') 16 Saugstrup M.
Dujshbaev D.	25 (50') 16
	25 (52') 17 Saugstrup M.
	25 (55') 18 Saugstrup M.
	25 (55') 19 Saugstrup M.
	25 (58') 20 Saugstrup M.
Dujshbaev D.	26 (59') 20
	26 (59') 21 Aaquist J.
Dujshbaev D.	27 (60') 21

Legend

6m : 6 Metre Shots	BT : Breakthroughs	AI : Attack Interruptions
6mO : In_flight shots	AS : Assists	YC : Yellow Cards
9m : 9 Metre Shots	R7 : Received 7m-Fouls	2M : 2 Minute Suspensions
Wing : Wing Shots	ST : Steals	RC : Red Cards
7m : 7m Penalty Shots	TO : Turnover	EX : Exclusions
FB : Fast Breaks	BS : Blocked Shots	2+2 : 2+2 Minute Suspensions
FTO : Fast Throw Off	DB : Defence Blocks	PPT : Player Played Time
NS : Near zone shots (incl: 6m, 6mO, Wing, B)		



Place 3/4
Match No 55

2014 Men's 18 European Handball Championship

14 - 24 August in Gdańsk & Gdynia, Poland

SPAIN  -  DENMARK



2014-08-24 Start Time: 14:00
Gdynia Arena

Alberto Suarez, Spain, coach:

We are very happy because of the win and because of the bronze medals we won. It was easier for us to win, because few of our players were less tired and they could play the whole game today. We won here six matches and lost just one game with only one goal. That makes me very proud of my team.

David Fernandez Alonso, Spain, player:

I am very happy we won. It wasn't an easy game, but we won, because we were a team and we played like it was the first match at the tournament. It was an emotional game, but we managed to win and we finish 3rd.

Morten Henriksen, Denmark, coach:

We qualified to the best four from two very difficult groups, winning with teams like Macedonia, Russia and then after a terrific match against Sweden. After that we realised that it's too hard competition for us, it was too big a distance between us and the top three teams. Probably with teams from fifth, sixth or seventh place we would have difficulties to win. The main problem for us today was great Spanish defence, we need some more individual skills, some more quality play in attack and our fast breaks are very bad. In defence I am very satisfied both the match today and the match against Hungary.

Magnus Saugstrup, Denmark, player:

It's hard for me to say anything. I am sad because we lost. We have lost to a better team, we played very bad in the first half. After the break we tried to make a comeback, but it wasn't enough.



2014 Men's 18 European Handball Championship

14 - 24 August in Gdańsk & Gdynia, Poland



SPAIN (ESP)

CUMULATIVE TEAM STATISTICS

Results:

(7) ESP 27 - 25 DEN (9) MKD 16 - 31 ESP (11) ESP 25 - 22 RUS
 (34) SWE 20 - 26 ESP (36) ESP 26 - 23 SUI (47) ESP 23 - 24 FRA
 (55) ESP 27 - 21 DEN

No. Name	M P	Total			All Goals / Shots									Punishments					Offence				Defence			TP
		Goals	Shots	%	7m	7m%	6m	6mO	9m	Wing	BT	FTO	FB	YC	RC	2M	2+2	EX	AS	R7	BS	TO	ST	DB	AI	
1 Cabada J.	7	0	0	0	0/0	0	0/0	0/0	0/0	0/0	0/0	0/0	0	0	0	0	0	0	0	0	0	0	0	0	0	155:59
2 Gomez A.	6	3	4	75	0/0	0	3/4	0/0	0/0	0/0	0/0	0/0	0	1	0	0	0	0	3	0	0	1	0	0	0	49:13
3 Bazan A.	7	13	19	68	0/0	0	13/19	0/0	0/0	0/0	0/0	0/0	2	0	2	0	0	0	5	3	0	5	5	2	12	296:01
4 Dujšhebaev D.	7	12	23	52	2/5	40	1/2	0/0	8/15	0/0	0/0	1/1	0	0	1	0	0	0	6	0	0	10	1	3	2	171:04
7 Folquez O.	7	1	1	100	0/0	0	0/0	0/0	1/1	0/0	0/0	0/0	1	0	3	0	0	0	3	1	0	2	7	0	5	131:46
8 Casado A.	7	19	35	54	0/1	0	6/7	0/0	10/22	1/1	1/1	0/0	1/3	4	0	2	0	0	22	2	1	13	7	3	7	217:24
9 Castro F.	7	15	32	47	0/0	0	8/14	0/0	6/15	0/0	1/2	0/0	0/1	2	0	0	1	0	19	2	1	19	2	2	5	153:50
10 Fernandez D.	7	21	40	52	0/0	0	7/12	0/0	14/28	0/0	0/0	0/0	0	0	2	0	0	0	13	1	0	9	1	0	1	219:51
11 Gomez A.	4	21	33	64	6/7	86	2/3	0/0	5/12	3/5	2/2	0/0	3/4	1	0	1	0	0	4	0	0	1	7	1	0	129:10
13 Munoz J.	7	5	9	56	0/0	0	1/4	0/0	0/0	0/0	3/3	0/0	1/2	3	0	0	0	0	3	0	1	2	2	0	10	198:49
16 Ledo X.	7	0	0	0	0/0	0	0/0	0/0	0/0	0/0	0/0	0/0	0/0	0	0	0	0	0	4	0	0	3	0	0	0	264:01
21 Rio R.	7	10	18	56	0/0	0	0/0	0/0	9/17	0/0	0/0	0/0	1/1	0	0	1	0	0	2	0	1	2	0	0	2	46:51
22 Odrozola K.	7	19	33	58	0/0	0	4/7	0/0	5/7	4/10	4/5	0/0	2/4	1	0	1	0	0	3	4	3	10	6	0	3	322:56
23 Carmona G.	5	9	11	82	1/2	50	1/1	0/0	0/0	6/7	0/0	0/0	1/1	1	0	0	0	0	1	0	0	1	0	0	0	65:50
24 Fernandez J.	7	27	38	71	7/10	70	3/3	0/0	0/0	6/10	0/0	0/0	11/15	2	0	2	0	0	2	1	0	7	3	0	4	306:52
25 Pedreira R.	7	3	4	75	0/0	0	3/4	0/0	0/0	0/0	0/0	0/0	0/0	0	0	1	0	0	9	0	0	2	0	0	2	263:08
26 Gutierrez F.	7	7	10	70	0/0	0	0/0	0/0	0/0	3/6	0/0	0/0	4/4	0	0	0	0	0	2	0	0	1	4	0	0	134:40
Totals		185	310	60	16/25	64	52/80	0/0	58/117	23/39	11/13	0/0	25/36	17	1	16	1	0	101	14	7	88	45	11	53	420:00

No. Goalkeepers	M P	Total			All Goals / Shots										FTO		FB	
		Saves	Shots	%	7m	7m%	9m	9m%	6m	6mO	Wing	BT	NS%	FTO	FB			
1 Cabada J.	7	21	85	25	0/3	0	15/42	36	2/13	0/0	1/8	0/1	14	0/1	3/18			
16 Ledo X.	7	52	139	37	0/6	0	22/51	43	10/39	0/0	12/22	0/1	35	0/0	8/20			
Totals		73	224	33	0/9	0	37/93	40	12/52	0/0	13/30	0/2	30	0/1	11/38			

Shots Team Totals

	Made	Saves	Missed	Total attempts	Total %EFF
6m	52	24	4	80	65%
6mO	0	0	0	0	0%
Wing	23	11	5	39	59%
9m	58	31	28	117	50%
7m	16	4	5	25	64%
FB	25	7	4	36	69%
FTO	0	0	0	0	0%
BT	11	2	0	13	85%

Spain scored:

28	19	17
25	2	23
29	16	26

Opponents scored:

13	13	18
12	1	22
26	16	30

Legend

6m : 6 Metre Shots **7m** : 7m Penalty Shots **AS** : Assists **BS** : Blocked Shots **2M** : 2 Minute Suspensions
6mO : In_flight shots **FB** : Fast Breaks **R7** : Received 7m-Fouls **DB** : Defence Blocks **RC** : Red Cards
9m : 9 Metre Shots **FTO** : Fast Throw Off **ST** : Steals **AI** : Attack Interruptions **EX** : Exclusions
Wing : Wing Shots **BT** : Breakthroughs **TO** : Turnover **YC** : Yellow Cards **2+2** : 2+2 Minute Suspensions
NS : Near zone shots (incl: 6m, 6mO,Wing,BT) **PPT** : Player Played Time



2014 Men's 18 European Handball Championship

14 - 24 August in Gdańsk & Gdynia, Poland



DENMARK (DEN)

CUMULATIVE TEAM STATISTICS

Results:

(7) ESP 27 - 25 DEN (10) DEN 38 - 21 RUS (12) DEN 38 - 20 MKD
 (33) SUI 27 - 26 DEN (35) DEN 34 - 22 SWE (48) HUN 32 - 26 DEN
 (55) ESP 27 - 21 DEN

No. Name	M P	Total			All Goals / Shots										Punishments					Offence				Defence			TP
		Goals	Shots	%	7m	7m%	6m	6mO	9m	Wing	BT	FTO	FB	YC	RC	2M	2+2	EX	AS	R7	BS	TO	ST	DB	AI		
2 Toft A.	7	10	14	71	0/0	0	9/12	0/0	0/1	0/0	0/0	0/0	1/1	1	0	3	0	0	2	1	0	3	2	2	9	169:18	
3 Olesen C.	7	21	30	70	9/10	90	0/0	0/0	0/0	7/13	0/0	0/0	5/7	0	0	0	0	0	3	1	0	4	3	0	2	232:13	
4 Larsen R.	7	2	9	22	0/0	0	1/3	0/0	0/3	0/0	0/0	0/0	1/3	0	0	1	0	0	4	2	0	1	0	0	1	109:22	
5 Krabbe F.	7	25	40	62	0/0	0	7/9	0/0	17/30	0/0	0/0	0/0	1/1	3	0	3	0	0	16	1	1	11	5	0	8	280:50	
8 Aaquist J.	7	13	21	62	0/0	0	1/3	0/0	11/17	0/0	0/0	0/0	1/1	2	0	2	0	0	21	2	2	9	4	1	4	231:19	
9 Campbell M.	7	7	13	54	0/0	0	1/1	0/0	5/10	0/0	0/0	0/0	1/2	0	0	2	0	0	7	0	0	5	2	0	2	122:15	
10 Rosendahl L.	7	18	30	60	0/0	0	1/2	0/0	13/22	1/1	0/0	0/0	3/5	2	0	1	0	0	20	1	2	14	1	2	18	298:21	
15 Hedegaard M.	7	5	6	83	0/0	0	3/4	0/0	0/0	0/0	0/0	0/0	2/2	4	0	2	0	0	1	1	0	6	0	0	6	71:49	
16 Nielsen E.	7	0	0	0	0/0	0	0/0	0/0	0/0	0/0	0/0	0/0	0/0	0	0	0	0	0	1	0	0	5	0	0	0	301:51	
17 Thogersen M.	7	6	9	67	0/0	0	0/1	0/0	0/0	5/7	0/0	0/0	1/1	0	0	0	0	0	1	1	0	0	1	0	2	174:59	
18 Holm M.	7	15	25	60	0/0	0	1/2	0/0	0/0	12/18	0/0	0/0	2/5	1	0	3	0	0	1	1	0	3	3	0	3	254:41	
19 Norager N.	7	27	58	47	4/7	57	3/9	0/0	16/36	0/0	0/0	0/0	4/6	2	0	4	0	0	10	1	3	7	2	0	15	305:01	
20 Gade S.	7	0	0	0	0/0	0	0/0	0/0	0/0	0/0	0/0	0/0	0/0	0	0	0	0	0	3	0	0	0	0	0	0	118:09	
21 Saugstrup M.	7	36	42	86	0/0	0	23/27	0/0	0/1	1/1	0/0	0/0	12/13	4	0	5	0	0	0	3	0	4	6	1	18	228:40	
22 Augustinussen S.	7	11	22	50	0/0	0	2/3	0/0	6/15	1/1	1/1	0/0	1/2	2	0	2	0	0	18	1	1	10	1	3	6	149:26	
23 Thorsen T.	7	12	21	57	1/1	100	4/5	0/0	1/1	2/7	0/0	0/0	4/7	0	0	0	0	0	0	1	0	2	2	0	0	149:59	
Totals		208	340	61	14/18	78	56/81	0/0	69/136	29/48	1/1	0/0	39/56	21	0	28	0	0	108	17	9	84	32	9	94	420:00	

No. Goalkeepers	M P	Total			All Goals / Shots										
		Saves	Shots	%	7m	7m%	9m	9m%	6m	6mO	Wing	BT	NS%	FTO	FB
16 Nielsen E.	7	76	201	38	5/19	26	51/90	57	12/49	0/0	6/23	0/4	24	0/0	1/15
20 Gade S.	7	29	80	36	1/8	12	12/31	39	13/27	0/0	2/6	0/1	44	0/0	1/7
Totals		105	281	37	6/27	22	63/121	52	25/76	0/0	8/29	0/5	30	0/0	2/22

Shots Team Totals

	Made	Saves	Missed	Total attempts	Total %EFF
6m	56	15	10	81	69%
6mO	0	0	0	0	0%
Wing	29	15	4	48	60%
9m	69	42	25	136	51%
7m	14	1	3	18	78%
FB	39	14	3	56	70%
FTO	0	0	0	0	0%
BT	1	0	0	1	100%

Denmark scored:

28	12	29
18	0	23
44	22	32

Opponents scored:

28	24	22
27	4	15
23	9	24

Legend

6m : 6 Metre Shots 7m : 7m Penalty Shots AS : Assists BS : Blocked Shots 2M : 2 Minute Suspensions
 6mO : In_flight shots FB : Fast Breaks R7 : Received 7m-Fouls DB : Defence Blocks RC : Red Cards
 9m : 9 Metre Shots FTO : Fast Throw Off ST : Steals AI : Attack Interruptions EX : Exclusions
 Wing : Wing Shots BT : Breakthroughs TO : Turnover YC : Yellow Cards 2+2 : 2+2 Minute Suspensions
 NS : Near zone shots (incl: 6m, 6mO,Wing,BT) PPT : Player Played Time

14 M396 R1- 064	Team A FRA France	Team B HUN Hungary
---------------------------	-----------------------------	------------------------------

Place: Hala Sportowo Widowiskowa W
 Nation: POL
 Date: 24.08.2014
 Time: 16:30
 Spect.: 1100
 (Hall cap.): 4800

Final Result

33 : 30

N	France	G	W	2'	2'	2'	D	TP
2	LENNE Yanis	4						
4	MOCQUAIS Etienne	2						
5	BILLANT Florian	0						
7	FERRANDIER Lucas	2	17:00					
8	GARAIN Dylan	1		23:25				
9	MINNE Aymeric	8	12:00					
10	KOUNKOUD Benoit	2						
11	LAGARDE Romain	2						
12	BONNEAU Florent	0						
13	NOZERAN Tom	2						
16	MEYER Julien	0						
17	BOUCHILLOU Sacha	1						
19	ZAHM Iswaran	0						
20	FABREGAS Ludovic	5		55:42				
21	MEM Dika	1	06:00	09:51				
22	RICHARDSON Melvyn	3						
A	QUINTIN Eric							
B	DINART Didier							
C	RENAUD Eric							
D	GAUTIER Sebastien							
TTO		1:	57:14	2:		3:		

Team A	Team B
Half time	
16	18
Full time	
33	30
1st extra time	
2nd extra time	
after 7 metres	
7m given / goals	
2 / 2	3 / 0

Officials	Nat.
Referee 1	
Tomislav Cindric	CRO
Referee 2	
Robert Gonzurek	CRO
EHF-Delegate	
Panos Antoniou	CYP
EHF-Delegate	
Miroslaw Baum	POL

N	Hungary	G	W	2'	2'	2'	D	TP
2	VARJU Martin	1	11:00					
3	MIKITA Bence	0						
4	URBAN Egon	0						
5	FEKETE David	1						
7	JUHASZ Adam	1						
8	DEAK Mate	0						
9	FÜZI Daniel	5						
10	SCHMID Peter	1	15:00					
12	ROZSAVÖLGYI Gergely	0						
13	NEMES Richard	3						
14	BARTOK Donat	5						
15	SZILAGYI David	0						
16	PASZTOR Imre	0						
18	GABOR Marcell	0						
19	LIGETVARI Patrik	5	04:00	54:43				
22	GYÖRI Matyas	8		26:30				
A	GYURKA Janos							
B	KOPORNYIK Zsolt							
C	SANDOR Daniel							
D	BALAZS Mate							
TTO		1:	14:50	2:	48:16	3:		

Remarks





2014 Men's 18 European Handball Championship

14 - 24 August in Gdańsk & Gdynia, Poland



Final
Match No 56

FRANCE  -  HUNGARY

2014-08-24 Start Time: 16:30
Gdynia Arena

Referees: CINDRIC/GONZUREK CRO

FULL TIME REPORT

FRANCE

Coach: Quintin Erik

Field players	Goals	Shots	%	7m	7m%	9m	6m	6mO	Wing	FB	BT	FTO	PPT
12 Bonneau F.	0	0	0	0/0	0	0/0	0/0	0/0	0/0	0/0	0/0	0/0	31:53
16 Meyer J.	0	0	0	0/0	0	0/0	0/0	0/0	0/0	0/0	0/0	0/0	28:07
2 Lenne J.	4	6	67	0/0	0	0/0	2/3	0/0	0/1	2/2	0/0	0/0	21:23
4 Mocquais E.	2	4	50	1/1	100	0/1	0/0	0/0	1/1	0/1	0/0	0/0	31:35
5 Billant F.	0	0	0	0/0	0	0/0	0/0	0/0	0/0	0/0	0/0	0/0	44:04
7 Ferrandier L.	2	4	50	0/0	0	2/2	0/2	0/0	0/0	0/0	0/0	0/0	21:06
8 Garain D.	1	2	50	0/0	0	0/1	1/1	0/0	0/0	0/0	0/0	0/0	36:36
9 Minne A.	8	11	73	1/1	100	4/6	0/0	1/1	0/0	2/3	0/0	0/0	42:20
10 Kounkoud B.	2	4	50	0/0	0	0/0	0/0	0/0	2/3	0/1	0/0	0/0	23:08
11 Lagarde R.	2	3	67	0/0	0	2/3	0/0	0/0	0/0	0/0	0/0	0/0	16:56
13 Nozeran T.	2	4	50	0/0	0	0/1	1/2	0/0	1/1	0/0	0/0	0/0	00:00
17 Bouchillou S.	1	1	100	0/0	0	0/0	1/1	0/0	0/0	0/0	0/0	0/0	17:56
19 Zahm I.	0	0	0	0/0	0	0/0	0/0	0/0	0/0	0/0	0/0	0/0	05:58
20 Fabregas L.	5	5	100	0/0	0	0/0	4/4	0/0	0/0	1/1	0/0	0/0	37:50
21 Mem D.	1	5	20	0/0	0	1/5	0/0	0/0	0/0	0/0	0/0	0/0	23:38
22 Richardson M.	3	7	43	0/0	0	2/5	1/1	0/0	0/0	0/1	0/0	0/0	38:12
	33	56	59	2/2	100	11/24	10/14	1/1	4/6	5/9	0/0	0/0	60:00

Field players	AS	R7	ST	TO	AF	BS	DB	AI	YC	2M	RC	EX	2+2
12 Bonneau F.	0	0	0	1	0	0	0	0	0	0	0	0	0
16 Meyer J.	0	0	0	0	0	0	0	0	0	0	0	0	0
2 Lenne J.	0	0	1	0	0	0	0	0	0	0	0	0	0
4 Mocquais E.	2	1	0	1	0	0	0	1	0	0	0	0	0
5 Billant F.	0	0	0	0	0	0	0	0	0	0	0	0	0
7 Ferrandier L.	0	0	0	0	0	0	0	1	1	0	0	0	0
8 Garain D.	1	0	0	0	0	0	1	3	0	1	0	0	0
9 Minne A.	1	0	1	2	0	2	1	1	1	0	0	0	0
10 Kounkoud B.	0	0	1	2	0	0	0	0	0	0	0	0	0
11 Lagarde R.	1	0	1	0	0	0	1	2	0	0	0	0	0
13 Nozeran T.	1	0	0	1	0	0	0	0	0	0	0	0	0
17 Bouchillou S.	0	1	1	0	0	0	0	0	0	0	0	0	0
19 Zahm I.	1	0	1	1	0	0	0	0	0	0	0	0	0
20 Fabregas L.	1	0	0	0	0	0	1	5	0	1	0	0	0
21 Mem D.	0	0	0	3	0	0	0	0	1	1	0	0	0
22 Richardson M.	4	0	4	4	1	0	1	2	0	0	0	0	0
	12	2	10	15	1	2	5	15	3	3	0	0	0

Goalkeepers	Total				Near Shots									
	Saves	Shots	%	7m	7m%	9m	9m%	6m	6mO	Wing	BT	NS%	FB	FTO
16 Meyer J.	4	20	20	0/0	0	3/9	33	1/10	0/0	0/0	0/0	10	0/1	0/0
12 Bonneau F.	6	20	30	2/2	100	2/8	25	1/7	0/0	0/1	0/0	12	1/2	0/0
	10	40	25	2/2	100	5/17	29	2/17	0/0	0/1	0/0	11	1/3	0/0

Officials	YC	2M	RC	EX	2+2
F	0	0	0	0	0
E	0	0	0	0	0
D Gautier Sebastien	0	0	0	0	0
C Renaud Eric	0	0	0	0	0
B Dinart Didier	0	0	0	0	0
A Quintin Erik	0	0	0	0	0
	0	0	0	0	0



2014 Men's 18 European Handball Championship

14 - 24 August in Gdańsk & Gdynia, Poland



Final
Match No 56

FRANCE  -  HUNGARY

2014-08-24 Start Time: 16:30
Gdynia Arena

Referees: CINDRIC/GONZUREK CRO

FULL TIME REPORT

HUNGARY

Coach: Gyurka Janos

Field players	Goals	Shots	%	7m	7m%	9m	6m	6mO	Wing	FB	BT	FTO	PPT
12 Rozsavolgyi G.	0	0	0	0/0	0	0/0	0/0	0/0	0/0	0/0	0/0	0/0	42:09
16 Pasztor I.	0	0	0	0/0	0	0/0	0/0	0/0	0/0	0/0	0/0	0/0	17:51
2 Varju M.	1	2	50	0/0	0	0/0	0/0	0/0	1/1	0/1	0/0	0/0	53:46
3 Mikita B.	0	0	0	0/0	0	0/0	0/0	0/0	0/0	0/0	0/0	0/0	00:00
4 Urban E.	0	1	0	0/0	0	0/0	0/0	0/0	0/1	0/0	0/0	0/0	06:34
5 Fekete D.	1	3	33	0/1	0	0/0	0/0	0/0	0/0	1/2	0/0	0/0	60:00
7 Juhasz A.	2	4	50	0/0	0	0/2	2/2	0/0	0/0	0/0	0/0	0/0	39:34
8 Deak M.	0	0	0	0/0	0	0/0	0/0	0/0	0/0	0/0	0/0	0/0	00:00
9 Fuzi D.	5	6	83	0/0	0	0/0	5/6	0/0	0/0	0/0	0/0	0/0	30:20
10 Schmid P.	1	2	50	0/0	0	1/2	0/0	0/0	0/0	0/0	0/0	0/0	22:12
13 Nemes R.	3	4	75	0/0	0	0/1	3/3	0/0	0/0	0/0	0/0	0/0	12:21
14 Bartok D.	5	5	100	0/0	0	3/3	2/2	0/0	0/0	0/0	0/0	0/0	31:32
15 Szilagyi D.	0	0	0	0/0	0	0/0	0/0	0/0	0/0	0/0	0/0	0/0	00:00
18 Gabor M.	0	0	0	0/0	0	0/0	0/0	0/0	0/0	0/0	0/0	0/0	15:24
19 Ligetvari P.	5	9	56	0/0	0	3/4	2/5	0/0	0/0	0/0	0/0	0/0	33:43
22 Gyori M.	7	10	70	0/1	0	5/7	1/1	0/0	0/0	1/1	0/0	0/0	54:34
	30	46	65	0/2	0	12/19	15/19	0/0	1/2	2/4	0/0	0/0	60:00

Field players	AS	R7	ST	TO	AF	BS	DB	AI	YC	2M	RC	EX	2+2
12 Rozsavolgyi G.	0	0	0	0	0	0	0	0	0	0	0	0	0
16 Pasztor I.	0	0	0	0	0	0	0	0	0	0	0	0	0
2 Varju M.	0	0	1	0	0	0	0	1	1	0	0	0	0
3 Mikita B.	0	0	0	0	0	0	0	0	0	0	0	0	0
4 Urban E.	0	0	0	0	0	0	0	0	0	0	0	0	0
5 Fekete D.	0	0	1	1	0	0	0	0	0	0	0	0	0
7 Juhasz A.	7	2	0	3	2	0	0	0	0	0	0	0	0
8 Deak M.	0	0	0	0	0	0	0	0	0	0	0	0	0
9 Fuzi D.	0	0	0	0	0	0	2	0	0	0	0	0	0
10 Schmid P.	0	0	0	1	1	0	0	1	0	0	0	0	0
13 Nemes R.	0	0	0	0	0	0	0	0	0	0	0	0	0
14 Bartok D.	4	1	1	8	1	2	1	0	0	0	0	0	0
15 Szilagyi D.	0	0	0	0	0	0	0	0	0	0	0	0	0
18 Gabor M.	0	0	0	0	0	0	0	1	0	0	0	0	0
19 Ligetvari P.	1	0	0	4	0	1	0	1	1	1	0	0	0
22 Gyori M.	3	0	1	2	0	2	0	2	0	1	0	0	0
	15	3	4	19	4	5	3	6	2	2	0	0	0

Goalkeepers	Total				Near Shots									
	Saves	Shots	%	7m	7m%	9m	9m%	6m	6mO	Wing	BT	NS%	FB	FTO
12 Rozsavolgyi G.	15	38	39	0/1	0	8/14	57	3/10	0/1	2/5	0/0	31	2/7	0/0
16 Pasztor I.	3	13	23	0/1	0	2/7	29	1/4	0/0	0/1	0/0	20	0/0	0/0
	18	51	35	0/2	0	10/21	48	4/14	0/1	2/6	0/0	29	2/7	0/0

Officials	YC	2M	RC	EX	2+2
A Gyurka Janos	0	0	0	0	0
B Kopornyik Zsolt	0	0	0	0	0
C Sandor Daniel	0	0	0	0	0
D Balazs Mate	0	0	0	0	0
E	0	0	0	0	0
F	0	0	0	0	0
	0	0	0	0	0



2014 Men's 18 European Handball Championship

14 - 24 August in Gdańsk & Gdynia, Poland



Final
Match No 56

FRANCE  -  HUNGARY

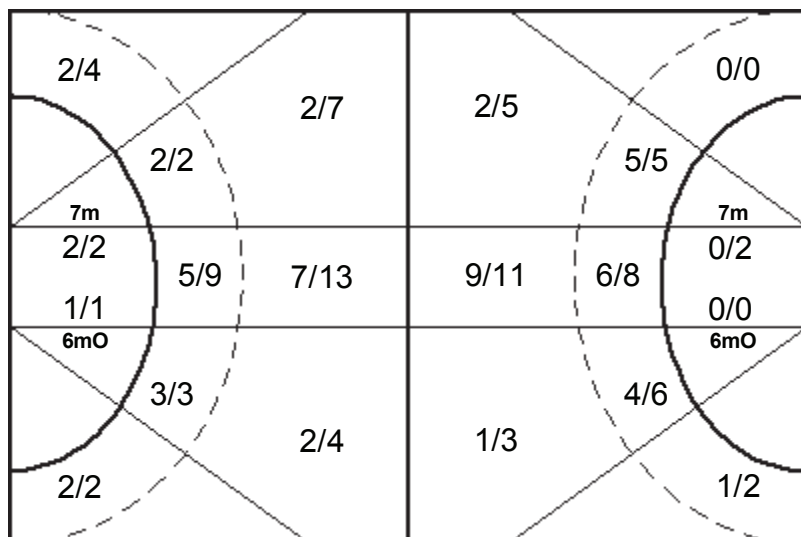
2014-08-24 Start Time: 16:30
Gdynia Arena

Referees: CINDRIC/GONZUREK CRO

OVERVIEW OF SHOT DISTRIBUTION

FRANCE HUNGARY

33 - 30
(16 - 18)



5/9	Fastbreak	2/4
0/0	Fast throw off	0/0
0/0	Breakthrough	0/0

FRANCE

5	7	3
6	0	2
4	3	3

HUNGARY

5	2	1
6	0	0
6	2	8

Legend

6m : 6 Metre Shots	BT : Breakthroughs	AI : Attack Interruptions
6mO : In-flight shots	AS : Assists	YC : Yellow Cards
9m : 9 Metre Shots	R7 : Received 7m-Fouls	2M : 2 Minute Suspensions
Wing : Wing Shots	ST : Steals	RC : Red Cards
7m : 7m Penalty Shots	TO : Turnover	EX : Exclusions
FB : Fast Breaks	BS : Blocked Shots	2+2 : 2+2 Minute Suspensions
FTO : Fast Throw Off	DB : Defence Blocks	PPT : Player Played Time
NS : Near zone shots (incl: 6m, 6mO, Wing, B)		

RUNNING SCORE

FRA - HUN

1st Half	
Minne A.	1 (2') 0
	1 (2') 1 Gyori M.
	1 (4') 2 Gyori M.
Mem D.	2 (4') 2
	2 (5') 3 Fuzi D.
Lenne J.	3 (7') 3
	3 (7') 4 Gyori M.
	3 (8') 5 Varju M.
Lenne J.	4 (10') 5
Fabregas L.	5 (10') 5
	5 (11') 6 Fuzi D.
	5 (12') 7 Gyori M.
Minne A.	6 (14') 7
	6 (14') 8 Fuzi D.
Fabregas L.	7 (15') 8
Lenne J.	8 (15') 8
	8 (16') 9 Fuzi D.
Ferrandier L.	9 (16') 9
	9 (17') 10 Gyori M.
Richardson M.	10 (19') 10
Nozeran T.	11 (20') 10
	11 (21') 11 Nemes R.
Koukoud B.	12 (21') 11
	12 (22') 12 Bartok D.
	12 (23') 13 Nemes R.
	12 (25') 14 Gyori M.
Ferrandier L.	13 (26') 14
Nozeran T.	14 (27') 14
Richardson M.	15 (27') 14
	15 (28') 15 Bartok D.
	15 (29') 16 Ligetvari P.
Mocquais E.	16 (29') 16
	16 (30') 17 Bartok D.
	16 (30') 18 Fekete D.
2st Half	
Minne A.	17 (31') 18
Mocquais E.	18 (32') 18
	18 (32') 19 Bartok D.
Minne A.	19 (33') 19
	19 (34') 20 Juhasz A.
Garain D.	20 (34') 20
	20 (37') 21 Nemes R.
Fabregas L.	21 (38') 21
	21 (41') 22 Ligetvari P.
	21 (42') 23 Ligetvari P.
Minne A.	22 (43') 23
	22 (43') 24 Schmid P.
Lagarde R.	23 (44') 24
Lagarde R.	24 (45') 24
	24 (45') 25 Juhasz A.
	24 (46') 26 Ligetvari P.
Minne A.	25 (47') 26
Minne A.	26 (48') 26
Koukoud B.	27 (49') 26
	27 (49') 27 Fuzi D.
Richardson M.	28 (50') 27
Bouchillou S.	29 (51') 27
	29 (54') 28 Bartok D.
Fabregas L.	30 (55') 28
Minne A.	31 (58') 28
Lenne J.	32 (59') 28
Fabregas L.	33 (59') 28



2014 Men's 18 European Handball Championship

14 - 24 August in Gdańsk & Gdynia, Poland



Final
Match No 56

FRANCE   -  HUNGARY

2014-08-24 Start Time: 16:30
Gdynia Arena

Referees: CINDRIC/GONZUREK CRO

OVERVIEW OF SHOT DISTRIBUTION

33 (60')	29	Ligetvari P.
33 (60')	30	Gyori M.



2014 Men's 18 European Handball Championship

14 - 24 August in Gdańsk & Gdynia, Poland



Final
Match No 56

FRANCE  -  HUNGARY

2014-08-24 Start Time: 16:30
Gdynia Arena

Eric Quintin, France, coach:

I think that it is not a surprise that I am very happy for my players and the team. They are truly fantastic, we had some bad moments but each time we were having new achievement. The spirit here is wonderful, spirit of handball. I am also very happy for handball it was great game of two the best teams on that tournament. If you win with that opponent it is really great thing.

Lucas Ferrandier, France, player:

I would like to congratulate to Hungarian team for great handball. Secondly it is beautiful day for my team and for whole French handball. I also think about our two players who took preparations with us and they are not here. About our winning I don't know what to say, I don't have words, it is truly incredible.

Janos Gyurka, Hungary, coach:

First of all congratulate to France, they fought very well in that match. We played a little bit with lack of attention in the beginning of the match, probably due to the fact that our players wanted too much. We made too many technical mistakes and in the final and you cannot win with that kind of mistakes. We should have played a bit more like persisted but we didn't. I do believe that morally we are a winner. I think we should go on this way in the future. Once again congratulations to French team.

Gergely Rozsavolgyi, Hungary, player:

It is very difficult to say anything at the moment. First of all I want to congratulate France. I am happy and sad at the same time, but I do believe it is great result for us and we should be happy about it.



2014 Men's 18 European Handball Championship

14 - 24 August in Gdańsk & Gdynia, Poland



FRANCE (FRA)

CUMULATIVE TEAM STATISTICS

Results:

(13) FRA 43 - 24 ROU (15) HUN 34 - 26 FRA (17) FRA 41 - 25 CRO
 (37) FRA 34 - 18 POL (40) GER 30 - 30 FRA (47) ESP 23 - 24 FRA
 (56) FRA 33 - 30 HUN

No. Name	M P	Total			All Goals / Shots										Punishments					Offence				Defence			TP
		Goals	Shots	%	7m	7m%	6m	6mO	9m	Wing	BT	FTO	FB	YC	RC	2M	2+2	EX	AS	R7	BS	TO	ST	DB	AI		
2 Lenne J.	5	9	15	60	0/0	0	2/3	0/0	1/1	4/7	0/0	0/0	2/4	1	0	0	0	0	0	0	0	1	2	0	0	112:15	
4 Mocquais E.	7	22	38	58	12/16	75	0/2	0/0	0/1	4/12	0/0	1/1	5/6	0	0	2	0	0	3	1	0	5	2	0	2	203:59	
5 Billant F.	7	16	26	62	2/4	50	0/1	0/0	0/0	8/15	0/0	0/0	6/6	0	0	0	0	0	2	0	0	1	0	0	1	192:02	
7 Ferrandier L.	7	8	14	57	0/0	0	1/5	0/1	3/4	0/0	3/3	0/0	1/1	2	0	1	0	0	22	2	0	6	3	1	3	159:14	
8 Garain D.	7	20	32	62	0/0	0	5/5	0/0	12/24	0/0	2/2	0/0	1/1	2	0	4	0	0	7	0	1	10	2	5	17	241:19	
9 Minne A.	7	30	44	68	1/1	100	2/2	1/1	15/26	0/0	2/4	0/0	9/10	3	0	3	0	0	25	1	4	14	7	1	9	273:41	
10 Kounkoud B.	7	11	21	52	0/2	0	4/4	0/0	0/0	6/11	0/0	0/0	1/4	1	0	2	0	0	4	0	0	5	3	0	3	147:43	
11 Lagarde R.	7	9	14	64	0/0	0	2/2	0/0	5/9	1/2	1/1	0/0	0/0	3	0	1	0	0	5	1	0	2	1	4	8	103:26	
12 Bonneau F.	7	0	1	0	0/0	0	0/0	0/0	0/1	0/0	0/0	0/0	0/0	0	0	0	0	0	1	0	0	2	0	0	0	163:35	
13 Nozeran T.	7	25	40	62	0/0	0	2/5	0/0	3/5	10/16	1/1	0/0	9/13	0	0	1	0	0	6	4	0	8	0	0	1	171:12	
16 Meyer J.	7	0	0	0	0/0	0	0/0	0/0	0/0	0/0	0/0	0/0	0/0	0	0	0	0	0	3	0	0	2	0	0	0	256:25	
17 Bouchillou S.	7	15	19	79	0/0	0	13/17	0/0	0/0	0/0	0/0	0/0	2/2	1	0	2	0	0	3	7	0	3	3	4	3	157:39	
19 Zahm I.	7	4	11	36	0/0	0	1/1	0/0	3/9	0/0	0/0	0/0	0/1	1	0	1	0	0	7	0	0	4	1	0	1	65:09	
20 Fabregas L.	7	25	29	86	0/0	0	23/27	0/0	0/0	0/0	0/0	2/2	4	0	9	0	0	3	6	0	2	3	6	23	243:31		
21 Mem D.	7	20	33	61	0/0	0	1/2	0/0	13/25	0/0	3/3	0/0	3/3	2	0	2	0	0	18	1	2	6	7	2	7	267:54	
22 Richardson M.	7	17	28	61	0/0	0	3/4	0/0	9/18	0/0	3/3	0/0	2/3	0	0	1	0	0	25	0	3	7	5	1	9	196:29	
Totals		231	365	63	15/23	65	59/80	1/2	64/123	33/63	15/17	1/1	43/56	20	0	29	0	0	134	23	10	78	39	24	87	420:00	

No. Goalkeepers	M P	Total			All Goals / Shots										
		Saves	Shots	%	7m	7m%	9m	9m%	6m	6mO	Wing	BT	NS%	FTO	FB
12 Bonneau F.	7	28	98	29	2/8	25	14/43	33	5/25	0/0	2/7	0/4	19	0/0	5/11
16 Meyer J.	7	74	188	39	2/9	22	40/72	56	12/43	0/0	12/22	4/25	31	0/0	4/17
Totals		102	286	36	4/17	24	54/115	47	17/68	0/0	14/29	4/29	28	0/0	9/28

Shots Team Totals

	Made	Saves	Missed	Total attempts	Total %EFF
6m	59	9	12	80	74%
6mO	1	0	1	2	50%
Wing	33	17	13	63	52%
9m	64	37	22	123	52%
7m	15	4	4	23	65%
FB	43	9	4	56	77%
FTO	1	0	0	1	100%
BT	15	1	1	17	88%

France scored:

40	27	28
31	2	31
24	21	27

Opponents scored:

18	10	11
24	0	21
37	24	39

Legend

6m : 6 Metre Shots **7m** : 7m Penalty Shots **AS** : Assists **BS** : Blocked Shots **2M** : 2 Minute Suspensions
6mO : In_flight shots **FB** : Fast Breaks **R7** : Received 7m-Fouls **DB** : Defence Blocks **RC** : Red Cards
9m : 9 Metre Shots **FTO** : Fast Throw Off **ST** : Steals **AI** : Attack Interruptions **EX** : Exclusions
Wing : Wing Shots **BT** : Breakthroughs **TO** : Turnover **YC** : Yellow Cards **2+2** : 2+2 Minute Suspensions
NS : Near zone shots (incl: 6m, 6mO,Wing,BT) **PPT** : Player Played Time



2014 Men's 18 European Handball Championship

14 - 24 August in Gdańsk & Gdynia, Poland



HUNGARY (HUN)

CUMULATIVE TEAM STATISTICS

Results:

(14) CRO 23 - 36 HUN (15) HUN 34 - 26 FRA (18) ROU 30 - 43 HUN
 (38) HUN 30 - 20 GER (39) POL 26 - 33 HUN (48) HUN 32 - 26 DEN
 (56) FRA 33 - 30 HUN

No. Name	M P	Total			All Goals / Shots										Punishments					Offence				Defence			TP
		Goals	Shots	%	7m	7m%	6m	6mO	9m	Wing	BT	FTO	FB	YC	RC	2M	2+2	EX	AS	R7	BS	TO	ST	DB	AI		
2 Varju M.	7	15	20	75	0/0	0	1/1	0/0	1/2	4/6	0/0	0/0	9/11	3	0	6	0	0	2	0	0	7	1	0	3	294:01	
3 Mikita B.	7	3	5	60	0/0	0	0/1	0/0	1/1	1/2	1/1	0/0	0/0	0	0	0	0	0	2	0	1	2	0	0	0	55:03	
4 Urban E.	7	8	13	62	0/0	0	3/4	0/0	0/3	4/5	1/1	0/0	0/0	0	0	1	0	0	1	1	0	1	2	0	0	141:45	
5 Fekete D.	7	29	44	66	7/8	88	1/1	0/0	0/4	8/16	0/0	0/0	13/15	2	0	0	0	0	1	2	0	6	3	0	0	316:46	
7 Juhasz A.	7	34	51	67	7/10	70	10/13	0/0	9/20	0/0	7/7	0/0	1/1	1	0	1	0	0	35	5	2	12	2	2	1	238:41	
8 Deak M.	7	3	5	60	0/0	0	0/0	0/0	0/0	2/3	0/0	0/0	1/2	0	0	1	0	0	0	0	0	0	0	0	0	73:29	
9 Fuzi D.	7	20	27	74	0/0	0	19/25	0/0	0/0	0/0	0/0	1/2	0	0	2	1	0	3	4	0	0	3	3	0	0	182:36	
10 Schmid P.	7	7	14	50	1/1	100	0/1	0/0	2/8	0/0	1/1	0/0	3/3	2	0	3	0	0	15	2	1	3	4	0	2	148:56	
12 Rozsavolgyi G.	7	0	0	0	0/0	0	0/0	0/0	0/0	0/0	0/0	0/0	0/0	0	0	0	0	0	4	0	0	0	0	0	0	245:16	
13 Nemes R.	7	18	21	86	0/0	0	17/18	0/0	0/2	0/0	0/0	1/1	0	0	1	0	0	1	2	0	1	0	0	0	0	115:49	
14 Bartok D.	7	32	47	68	1/1	100	4/6	0/0	25/38	0/0	2/2	0/0	0/0	2	0	3	0	0	20	2	10	23	1	3	0	241:39	
15 Szilagyi D.	7	8	10	80	0/0	0	1/1	0/0	7/9	0/0	0/0	0/0	0/0	0	0	1	0	0	3	0	1	4	1	1	2	60:07	
16 Pasztor I.	7	0	0	0	0/0	0	0/0	0/0	0/0	0/0	0/0	0/0	0/0	0	0	0	0	0	1	0	0	0	0	0	0	174:44	
18 Gabor M.	7	1	1	100	0/0	0	0/0	0/0	0/0	0/0	0/0	1/1	3	0	3	0	0	0	0	0	0	3	2	1	0	130:58	
19 Ligetvari P.	7	24	43	56	0/0	0	3/6	0/0	12/28	0/0	1/1	0/0	8/8	3	1	8	0	0	14	2	5	6	6	4	3	229:19	
22 Gyori M.	7	36	59	61	1/3	33	4/9	0/0	17/29	0/0	8/9	0/0	6/8	1	0	6	0	0	11	4	3	9	6	0	5	290:51	
Totals		238	360	66	17/23	74	63/86	0/0	74/144	19/32	21/22	0/0	44/52	17	1	36	1	0	113	24	23	74	32	15	17	420:00	

No. Goalkeepers	M P	Total			All Goals / Shots										
		Saves	Shots	%	7m	7m%	9m	9m%	6m	6mO	Wing	BT	NS%	FTO	FB
12 Rozsavolgyi G.	7	60	168	36	1/8	12	34/68	50	5/25	2/5	13/27	1/11	31	0/1	4/23
16 Pasztor I.	7	32	108	30	4/13	31	16/35	46	4/23	0/1	5/19	0/6	18	0/0	3/11
Totals		92	276	33	5/21	24	50/103	49	9/48	2/6	18/46	1/17	26	0/1	7/34

Shots Team Totals

	Made	Saves	Missed	Total attempts	Total %EFF
6m	63	14	9	86	73%
6mO	0	0	0	0	0%
Wing	19	8	5	32	59%
9m	74	39	31	144	51%
7m	17	6	0	23	74%
FB	44	3	5	52	85%
FTO	0	0	0	0	0%
BT	21	0	1	22	95%

Hungary			scored:
27	25	36	
20	2	26	
39	25	38	

Opponents			scored:
28	20	16	
18	1	22	
31	19	29	

Legend

6m : 6 Metre Shots **7m** : 7m Penalty Shots **AS** : Assists **BS** : Blocked Shots **2M** : 2 Minute Suspensions
6mO : In_flight shots **FB** : Fast Breaks **R7** : Received 7m-Fouls **DB** : Defence Blocks **RC** : Red Cards
9m : 9 Metre Shots **FTO** : Fast Throw Off **ST** : Steals **AI** : Attack Interruptions **EX** : Exclusions
Wing : Wing Shots **BT** : Breakthroughs **TO** : Turnover **YC** : Yellow Cards **2+2** : 2+2 Minute Suspensions
NS : Near zone shots (incl: 6m, 6mO,Wing,BT) **PPT** : Player Played Time

As of 2014-08-24

Total Shots (top 20)

Rank	No.	Name	Team	MP	Saves	Shots	%
1	4	Rubin L.	SUI	7	1	1	100
2	27	Stanojlovic L.	SRB	7	13	29	45
3	81	Milosavljev D.	SRB	7	110	270	41
4	16	Meyer J.	FRA	7	74	188	39
5	12	Locatelli S.	SUI	7	12	32	38
5	16	Nielsen E.	DEN	7	76	201	38
7	16	Ledo X.	ESP	7	52	139	37
8	20	Gade S.	DEN	7	29	80	36
8	1	Kizkij N.	MKD	7	37	102	36
8	16	Pettersson E.	SWE	7	43	121	36
8	12	Rozsavolgyi G.	HUN	7	60	168	36
8	14	Yuryuk A.	BLR	7	5	14	36
13	1	Grana D.	SUI	7	67	194	35
13	16	Gudjonsson G.	ISL	7	69	198	35
13	12	Porath P.	GER	7	69	199	35
13	16	Sergeev I.	RUS	6	67	193	35
17	16	Birlehm J.	GER	7	28	83	34
18	1	Baldvinsson E.	ISL	7	28	88	32
18	12	Ukhau M.	BLR	7	38	120	32
20	1	Bjorkman-Myhr A.	SWE	7	38	121	31

7m Penalty Shots (top 20)

Rank	No.	Name	Team	MP	Saves	Shots	%
1	1	Marcusa M.	ROU	7	2	4	50
2	16	Birlehm J.	GER	7	5	11	45
3	1	Vereshchagin A.	RUS	7	3	8	38
4	27	Stanojlovic L.	SRB	7	1	3	33
5	16	Pasztor I.	HUN	7	4	13	31
6	16	Nielsen E.	DEN	7	5	19	26
7	12	Bonneau F.	FRA	7	2	8	25
7	20	Dainilovski N.	MKD	7	3	12	25
7	16	Gudjonsson G.	ISL	7	4	16	25
10	16	Herajt F.	CZE	7	3	13	23
11	16	Meyer J.	FRA	7	2	9	22
11	81	Milosavljev D.	SRB	7	5	23	22
11	1	Yaromenka P.	BLR	7	2	9	22
14	16	Freiwald R.	ROU	7	3	14	21
15	12	Porath P.	GER	7	2	14	14
16	20	Gade S.	DEN	7	1	8	12
16	12	Rozsavolgyi G.	HUN	7	1	8	12
16	16	Spikic M.	CRO	7	1	8	12
19	1	Grana D.	SUI	7	1	9	11
19	1	Kizkij N.	MKD	7	1	9	11

Legend

MP : Matches Played % : Efficiency



2014 Men's 18 European Handball Championship

14 - 24 August in Gdańsk & Gdynia, Poland



OVERALL TEAM STATISTICS

As of 2014-08-24

Goalkeepers

Team	MP	6m		6mO		Wing		9m		7m		FB		FTO		BT		Total	
		Saves/Shots	%	Saves/Shots	%	Saves/Shots	%	Saves/Shots	%	Saves/Shots	%	Saves/Shots	%	Saves/Shots	%	Saves/Shots	%	Saves/Shots	%
BLR	7	18/76	24	0/1	0	14/39	36	46/116	40	2/14	14	10/47	21	0/4	0	1/13	8	91/310	29
CRO	7	12/55	22	0/1	0	16/49	33	46/128	36	1/13	8	10/50	20	0/0	0	0/10	0	85/306	28
CZE	7	14/67	21	0/0	0	13/34	38	34/99	34	3/18	17	12/52	23	0/0	0	0/13	0	76/283	27
DEN	7	25/76	33	0/0	0	8/29	28	63/121	52	6/27	22	2/22	9	0/0	0	0/5	0	104/280	37
ESP	7	12/52	23	0/0	0	13/30	43	37/93	40	0/9	0	11/38	29	0/1	0	0/2	0	73/225	32
FRA	7	17/68	25	0/0	0	14/29	48	54/115	47	4/17	24	9/28	32	0/0	0	4/29	14	102/286	36
GER	7	15/45	33	1/1	100	14/37	38	45/109	41	7/25	28	11/40	28	0/0	0	4/25	16	97/282	34
HUN	7	9/48	19	2/6	33	18/46	39	50/103	49	5/21	24	7/34	21	0/1	0	1/17	6	92/276	33
ISL	7	18/67	27	0/1	0	10/33	30	56/122	46	4/22	18	9/41	22	0/0	0	0/0	0	97/286	34
MKD	7	22/69	32	0/0	0	13/35	37	37/107	35	4/24	17	15/60	25	0/1	0	0/0	0	91/296	31
POL	7	10/59	17	0/2	0	8/22	36	50/126	40	1/19	5	8/31	26	0/2	0	0/9	0	77/270	29
ROU	7	11/65	17	1/1	100	14/51	27	53/114	46	5/20	25	10/73	14	0/0	0	1/17	6	95/341	28
RUS	7	26/86	30	0/1	0	12/55	22	50/125	40	3/14	21	11/55	20	0/0	0	0/0	0	102/336	30
SRB	7	18/46	39	0/0	0	25/48	52	57/112	51	6/26	23	17/67	25	0/0	0	0/0	0	123/299	41
SUI	6	17/67	25	0/0	0	12/27	44	43/99	43	1/10	10	7/19	37	0/3	0	0/3	0	80/228	35
SWE	6	9/45	20	0/0	0	11/25	44	51/118	43	2/22	9	8/30	27	0/0	0	0/2	0	81/242	33
Total	110	253/991	26	4/14	29	215/589	37	772/1807	43	54/301	18	157/687	23	0/12	0	11/145	8	1466/4546	32

Legend

MP : Matches Played	% : Efficiency	6m : 6 Metre Shots	9m : 9 Metre Shots	6mO : In_flight shots
FB : Fast Breaks	FTO : Fast Throw Off	Wing : Wing Shots	BT : Breakthroughs	7m : 7m Penalty Shots

As of 2014-08-24

No.	Name	Team	MP	YC	2MIN	RC	EX	Points	
								Total	Avg.
5	Sjobrink M.	SWE	7	3	9	2	0	31	4,4
5	Pietruszko T.	POL	7	4	7	2	0	28	4
19	Ligetvari P.	HUN	7	3	8	1	0	24	3,4
14	Markudov A.	MKD	7	4	10	0	0	24	3,4
20	Fabregas L.	FRA	7	4	9	0	0	22	3,1
13	Kuralek A.	BLR	7	6	8	0	0	22	3,1
22	Elistratov P.	RUS	7	0	4	2	0	18	2,6
6	Jelinic M.	CRO	7	2	3	0	1	18	2,6
14	Simo Z.	ROU	7	4	7	0	0	18	2,6
5	Arnarsson A.	ISL	7	5	6	0	0	17	2,4
19	Davitkovski K.	MKD	7	5	6	0	0	17	2,4
19	Thalmaier R.	ROU	7	2	5	1	0	17	2,4
20	Mitric U.	SRB	7	4	6	0	0	16	2,3
17	Teleski F.	MKD	7	0	8	0	0	16	2,3
2	Wypych M.	POL	6	3	5	0	0	13	2,2
11	Benediktsson B.	ISL	7	3	6	0	0	15	2,1
4	Bjarnason H.	ISL	7	3	6	0	0	15	2,1
28	Manescu A.	ROU	7	2	4	1	0	15	2,1
15	Stohanzl M.	CZE	7	7	4	0	0	15	2,1
11	Struck K.	GER	7	3	6	0	0	15	2,1
2	Varju M.	HUN	7	3	6	0	0	15	2,1
2	Karvatski A.	BLR	7	4	5	0	0	14	2
5	Muller J.	GER	7	2	6	0	0	14	2
19	Rothlisberger S.	SUI	7	6	4	0	0	14	2
21	Saugstrup M.	DEN	7	4	5	0	0	14	2
31	Furtsev V.	RUS	6	3	2	1	0	12	2
22	Gyori M.	HUN	7	1	6	0	0	13	1,9
10	Magnusson E.	ISL	7	3	5	0	0	13	1,9
18	Radovanovic M.	SRB	7	3	5	0	0	13	1,9
14	Haider M.	GER	7	2	5	0	0	12	1,7
7	Kasperek S.	CZE	7	2	5	0	0	12	1,7
8	Mrozowicz P.	POL	7	4	4	0	0	12	1,7
13	Hansson E.	SWE	7	3	4	0	0	11	1,6
8	Neolski M.	MKD	7	1	5	0	0	11	1,6
13	Obranovic A.	CRO	7	3	4	0	0	11	1,6
19	Padshyvalau A.	BLR	7	1	5	0	0	11	1,6
14	Babic A.	CRO	7	4	3	0	0	10	1,4
9	Bolotin S.	RUS	7	2	4	0	0	10	1,4
20	Cuciureanu A.	ROU	7	2	4	0	0	10	1,4
3	Gal R.	ROU	7	2	4	0	0	10	1,4

Note: Points = (YC) x 1 + (2MIN) x 2 + (RC) x 5 + (EX) x 10

Legend

MP : Matches Played **YC** : Yellow Card **2MIN** : 2 Minutes Suspensio **RC** : Red Card **EX** : Exclusion **Avg.** : Average per Match



2014 Men's 18 European Handball Championship

14 - 24 August in Gdańsk & Gdynia, Poland



TEAM FAIR PLAY

As of 2014-08-24

Team	MP	YC	2MIN	RC	EX	Points	
						Total	Avg.
SUI Switzerland	7	18	19	0	0	61	8,7
ESP Spain	7	19	16	1	0	73	10,4
FRA France	7	21	29	0	0	83	11,9
DEN Denmark	7	23	28	0	0	87	12,4
CZE Czech Republic	7	21	28	1	0	91	13
BLR Belarus	7	19	30	1	0	97	13,9
ISL Iceland	7	20	34	1	0	98	14
HUN Hungary	7	17	36	1	0	103	14,7
SRB Serbia	7	22	28	1	0	105	15
RUS Russia	7	19	24	4	0	107	15,3
CRO Croatia	7	21	29	0	1	107	15,3
GER Germany	7	21	38	1	0	107	15,3
POL Poland	7	20	35	2	0	114	16,3
ROU Romania	7	20	37	2	0	118	16,9
SWE Sweden	7	23	33	2	0	121	17,3
MKD FYR Macedonia	7	18	40	1	0	125	17,9

Note: players punishment points = (YC) x 1 + (2MIN) x 2 + (RC) x 10 + (EX) x 20
officials punishment points = (YC) x 5 + (2MIN) x 7 + (RC) x 10 + (EX) x 20

Legend

MP : Matches Played **YC** : Yellow Card **2MIN** : 2 Minutes Suspensio **RC** : Red Card **EX** : Exclusion **Avg.** : Average per Match



2014 Men's 18 European Handball Championship

14 - 24 August in Gdańsk & Gdynia, Poland



INDIVIDUAL STATISTICS - GOALSCORERS (TOP 40)

As of 2014-08-24

Rank	No.	Name	Team	MP	Goals	Shots	%	7m Shots
1	19	Padshyvalau A.	BLR	7	45	65	69	5/8
2	9	Bolotin S.	RUS	7	44	75	59	14/14
3	15	Magnusson O.	ISL	7	43	69	62	13/18
4	15	Aufdenblatten T.	SUI	7	42	67	63	11/14
5	15	Hallback A.	SWE	7	41	66	62	21/26
5	8	Neolski M.	MKD	7	41	78	53	4/6
7	10	Magnusson E.	ISL	7	38	86	44	0/0
8	21	Saugstrup M.	DEN	7	36	42	86	0/0
8	5	Muller J.	GER	7	36	57	63	0/0
8	22	Gyori M.	HUN	7	36	59	61	1/3
8	13	Jovanovic M.	SRB	7	36	71	51	7/9
8	17	Teleski F.	MKD	7	36	72	50	0/0
13	7	Juhasz A.	HUN	7	34	51	67	7/10
14	2	Babic M.	CRO	7	33	51	65	12/17
15	7	Claus D.	GER	7	32	45	71	0/0
15	14	Bartok D.	HUN	7	32	47	68	1/1
15	26	Dashko R.	RUS	7	32	54	59	0/0
18	13	Kuralek A.	BLR	7	31	46	67	0/0
18	8	Mubenzem D.	CZE	7	31	48	65	0/0
18	9	Potpara M.	SRB	7	31	56	55	4/6
21	9	Minne A.	FRA	7	30	44	68	1/1
22	13	Stefan L.	ROU	7	29	39	74	0/0
22	5	Fekete D.	HUN	7	29	44	66	7/8
22	14	Majdzinski M.	POL	7	29	61	48	0/0
25	14	Tynowski C.	SUI	7	28	42	67	4/5
25	3	Zintel B.	GER	7	28	44	64	12/14
25	11	Tokic R.	CRO	7	28	55	51	0/0
25	14	Santalov D.	RUS	7	28	69	41	0/0
29	24	Fernandez J.	ESP	7	27	38	71	7/10
29	19	Thalmaier R.	ROU	7	27	41	66	0/0
29	19	Norager N.	DEN	7	27	58	47	4/7
32	4	Juracic M.	CRO	7	26	39	67	0/0
32	9	Sonchik M.	BLR	7	26	39	67	0/0
32	9	Nilsson L.	SWE	7	26	43	60	3/4
35	20	Fabregas L.	FRA	7	25	29	86	0/0
35	18	Dedecek F.	CZE	7	25	36	69	11/14
35	13	Nozeran T.	FRA	7	25	40	62	0/0
35	5	Krabbe F.	DEN	7	25	40	62	0/0
35	18	Rikhardsson O.	ISL	7	25	41	61	2/2
35	19	Weisgerber L.	GER	7	25	45	56	2/3

Legend

MP : Matches Played % : Efficiency 7m Shots : 7m Penalty Shots